

EN **Mounting and Operating Manual**
for the advanSecure® Wall and Ground Anchor

DE **Montage- und Bedienungsanleitung**
für den advanSecure® Wand- und Bodenanker

Thank you for choosing the advanSecure® Wall and Ground Anchor.

A good choice: It is a proven security product made for you from high-quality materials and using precision manufacturing processes. To protect your two-wheelers and other valuables at home from theft, investing in this Wall and Ground Anchor was the right decision.

Please read this Mounting and Operating Manual carefully before mounting your Wall and Ground Anchor.

Do you have any questions about the product? Would you like to send us suggestions? Are you interested in a sales or marketing cooperation? The best way to reach us is by e-mail at:



kontakt@advansecure-shop.de

If you are satisfied with our product, we would be very pleased to receive a product rating or review - e.g. on Amazon or in the form of a Google rating for our online shop.

If problems arise, on the other hand, contacting us personally is the best way to find an individual solution - we will answer you in any case.

For our advanSecure® brand, we develop innovative products around the field of security, for use in both the private and commercial sector. Our products are well thought-out problem solvers and meet the highest (security) requirements. In the spirit of our name component "advan-", we strive for constant innovation in product development as well as a high customer benefit of each product.

Discover more sophisticated advanSecure® products at:



www.advansecure-shop.com

Scope of Delivery

1. Base plate with movable fastening ring (1x)
2. Plastic protective cover (1x)
3. Heavy-duty wedge anchor (4x)
4. Anchoring screw (4x)
5. Security sphere (4x)
6. Allen key (1x)
7. Fixing screw for cover (2x)
8. Screw protection cap (2x)
9. Drilling template (1x)
10. Assembly and operating instructions (1x)

Technical Data

Base plate with movable fastening fixing ring:

- Case hardened steel
- Scratch-resistant special varnish

Anchoring screws:

- Galvanised steel: Corrosion-free, ideal for outdoor use
- Steel security spheres protect against unscrewing

Weight: approx. 1.2 kg (incl. mounted accessories)

Plastic protective cover:

- Scratch-resistant surface
- Weather resistant

Heavy-duty wedge anchor:

- Metal anchor made of special steel
- Firm anchoring due to expansion cone

Dimensions

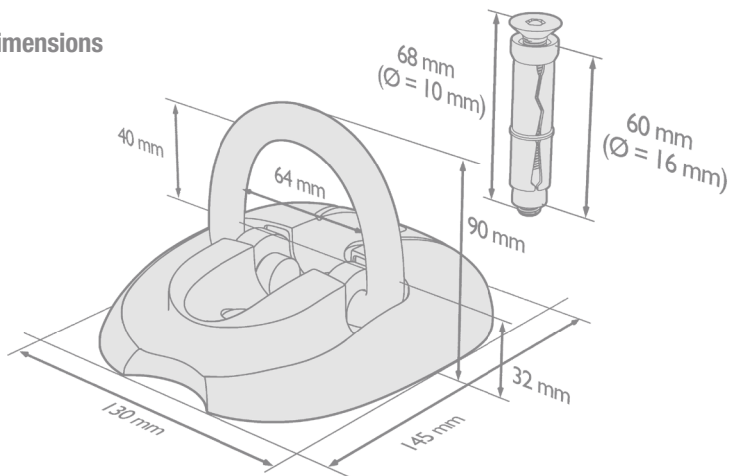


Figure 1

Intended Usage

Two-wheelers (as well as expensive garden tools etc.) are increasingly stolen from locked sheds, cellars or garages that offer little protection. Even if the two-wheeler is locked, thieves can still easily carry it away and load it into a vehicle. The same applies to two-wheelers that are locked in front of a building entrance where there is no fixed bicycle stand.

The advanSecure® Wall and Ground Anchor provides a fixed anchorage to the wall or floor to securely connect two-wheelers and other valuables to it. Carrying them away is therefore no longer possible and theft would require much more effort. In many cases, this leads to the abortion of the theft attempt.

The Wall and Ground Anchor is weather-resistant and can be used outdoors (e.g. next to building entrances or in an open carport) or indoors (e.g. sheds, cellars or garages).

Our product has proven itself for securing bicycles, cargo bikes, e-bikes, motorbikes and scooters, but also, for example, prams, lawnmowers and other garden or construction equipment.

The use of a sturdy chain lock is ideal for convenient and secure connection to the Wall and Ground Anchor.

The EN 12320-certified high-security chain locks from advanSecure® meet the highest security requirements and are fully accepted by all bicycle and e-bike insurance companies in Germany.



Example: advanSecure® High-Security Chain Lock Hammerburg (120 cm)

Mounting and Function

Choosing a Suitable Mounting Location

Choose a suitable location on a wall or on the ground. It should be a solid substrate with sufficient depth (cf. length of anchoring screws) into which the advanSecure® Wall and Ground Anchor can be securely screwed. For example, avoid screwing to smaller, loose paving stones that can be pulled out with little effort.

Tip: The special shape and material of the plastic cover make it possible for the Wall and Ground Anchor to be rolled over by a car without any problems if it is mounted on the floor in a garage, for example.

Mounting the Base Plate

For wall mounting: First decide whether you want to mount the base plate so that the fastening ring can be moved horizontally (sideways) or vertically (from bottom to top).

We recommend the vertical direction of movement, as this allows the ring to fall back into the recess in the plastic protective cover due to gravity. If the ring does not stick out when not in use, but is in the protective cover, this can prevent damage (e.g. to passing cars).

Now use the enclosed drilling template to drill holes for the anchoring screws or heavy-duty wedge anchors (metal dowels) using a 16 mm drill bit.

Then mount the base plate as shown in Figure 2.



Caution: Before inserting the security spheres into the heads of the anchoring screws, note that they can only be removed afterwards with considerable effort.

Therefore make sure beforehand that you really want to (and are allowed to, in the case of rental properties) use the initially selected mounting location permanently before inserting the security spheres.

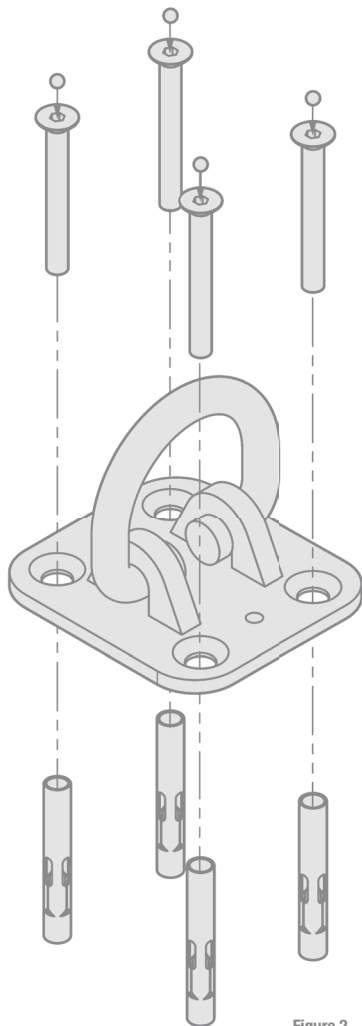


Figure 2

Mounting the Plastic Protective Cover

For wall mounting: First decide how the plastic protective cover should be aligned. We recommend mounting the cover with the brand logo facing upwards. This way, the fastening ring will fall back into the recess of the plastic protective cover by gravity when it is not in use. This can prevent damage (e.g. to passing cars).

Now fasten the plastic protective cover with the screws provided for this purpose and cover it with the screw protection caps, see Figure 3.

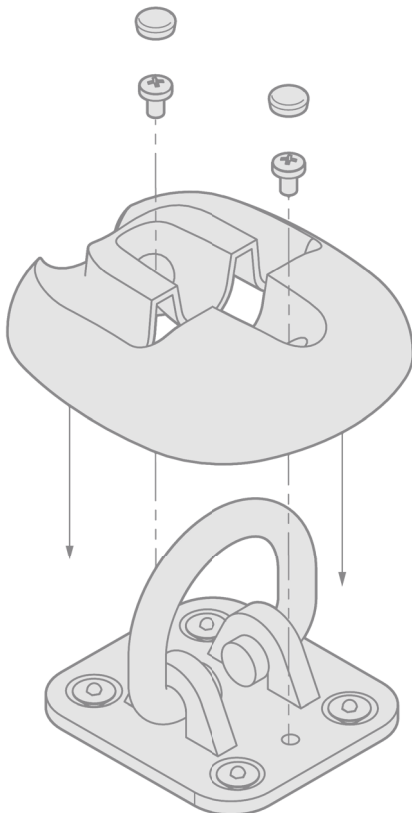


Figure 3

Notes Regarding Insurance

No lock or mechanical security device can offer one hundred percent protection against theft. For optimum protection, we therefore recommend that you take out additional insurance for your two-wheelers (or other valuables).

In principle, **household insurance** is an option here. You must first check whether the respective insurance covers objects outside the house (e.g. locked bicycle at the entrance to the house) or in outbuildings such as sheds or garages. In the case of bicycles or e-bikes, a **bicycle and e-bike insurance** can be considered as an alternative or supplement, which also covers the theft of these two-wheelers at the house (and additionally on the road).

Bicycle and e-bike insurers usually require the bike to be connected to a fixed object in order for the insurance cover to take effect. With your advanSecure® Wall and Ground Anchor, you also fulfil this requirement at home.

Also consider the requirements your insurance company places on a lock. Our **advanSecure® high-security chain locks** are EN 12320-certified, meet the highest security requirements and are fully accepted by all bicycle and e-bike insurance companies in Germany.

Note: The following only is applicable if you reside in Germany.

Our **partner insurance company Helden.de** has convinced itself of the quality and security of our products and recommends the advanSecure® Wall and Ground Anchor as well as our high-security chain locks to its customers.

Helden.de offers, among other things, a proven household insurance (incl. two-wheeler protection) as well as the very popular bicycle and e-bike insurance (more information at www.helden.de). With the latter, even partial wear and tear damage and damage caused by self-inflicted accidents with the bicycle or e-bike are covered. The price-performance ratio is fair here and Helden.de is very cooperative in settling claims.

We have negotiated a special **discount** with Helden.de for our customers. If you book an insurance policy at www.helden.de and enter the code **ADSE5** when you take out the policy, you will receive one month free of charge per year.

helden.de

Discount Code:

ADSE5

In addition to helden.de, we have other insurance companies as cooperation partners. Please feel free to contact us for recommendations.

advanSecure® is a brand of: Augmentum GmbH & Co. KG

Haselweg 16 • 25469 Halstenbek • Germany

www.augmentum-commerce.com

For Your Notes: